



# Alfa Laval LKH UltraPure

## Equipment documentation

Doc. ID No.: Alfa Laval Q-doc LKH-UP – version 1.14

## Order information

**Serial No.: 143879**

P&ID reference:

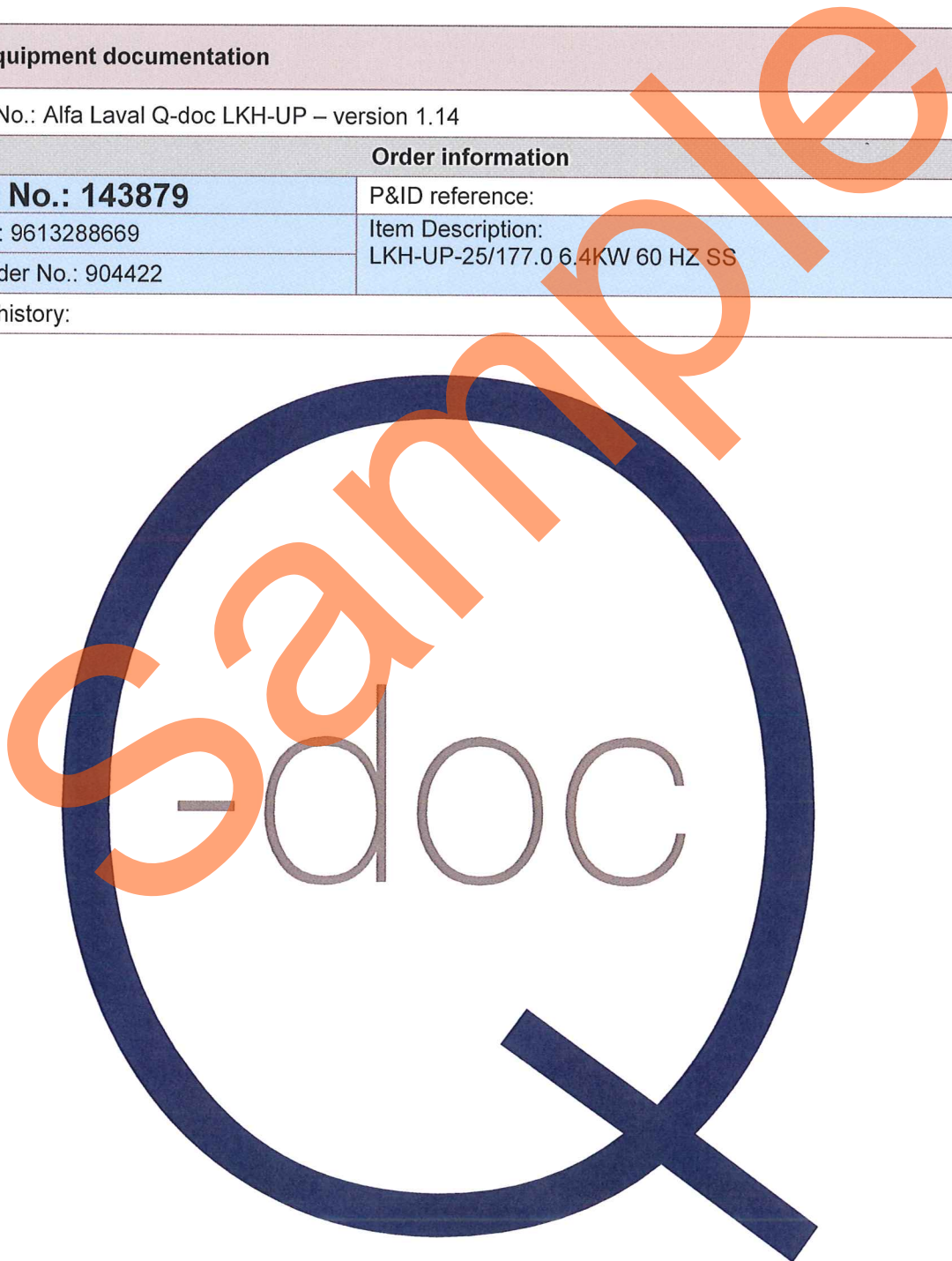
Item No.: 9613288669

Item Description:

Shop Order No.: 904422

LKH-UP-25/177.0 6.4KW 60 HZ SS

Product history:



# Equipment Documentation

## LKH UltraPure

Serial No.: 143879

Doc. ID No.: Alfa Laval Q-doc LKH UltraPure 1.14

### Declaration of Compliance

#### Supplier

Alfa Laval Kolding A/S  
Albuen 31, DK-6000 Kolding, Denmark  
Phone: +45 7932 2200  
E-mail: info@alfalaval.com

#### Traceability

We as supplier hereby guarantee and certify that the materials and/or parts of the above mentioned equipment(s) have been manufactured in accordance to and comply with the Regulation (EC) No. 1935/2004 of the European Parliament and of the Council of 27 October 2004 on "Materials and articles intended to come into contact with food" regarding traceability.

#### Compliance to EN 10204 type 3.1 (MTR) \*

We as supplier hereby guarantee and certify that our steel parts, stated in the Product wetted steel parts table in this document, complies with the European Standard EN 10204 of October 2004, Inspection certificate 3.1.

#### Compliance to the U.S. Food & Drug Administration CFR 21 §177.2600

We as supplier hereby guarantee and certify that our compound(s), stated in the Product wetted elastomer parts table in this document, complies with the U.S. Food & Drug Administration (FDA) Code of Federal Regulations, Title 21, part 177.2600. FDA Declarations from our suppliers can be forwarded upon request.

#### Compliance to the U.S. Food & Drug Administration

We as supplier hereby guarantee and certify that our Silicon Carbide seal face compound(s), stated in the product wetted elastomer parts table in this document, are accepted by U.S. Food & Drug Administration (FDA) Code of Federal Regulations to be used in contact with food and are in compliance with the FDA Code of Federal Regulations 21 Part 211.65 (a) – Equipment construction.

#### Compliance to the United States Pharmacopeia (USP)\*\*

We as supplier hereby guarantee and certify that our compound(s), stated in the Product wetted elastomer parts table below, has been tested and certified by an independent laboratory to be in compliance with the criteria of the U.S. Pharmacopeia, Class VI chapter 87 and 88 (version 22 or higher). Test reports can be forwarded upon request.

#### TSE (Transmissible Spongiform Encephalopathy) Declaration

We as supplier hereby declare, under our sole responsibility, that the above stated equipment has never been in contact with any compound derived from animal sources. Consequently this equipment does not contain Specific Risk Materials ( SRM's ) associated with risk of TSE. TSE Declarations from our suppliers can be forwarded upon request.

#### Surface finish Declaration

In accordance with Alfa Laval quality procedures we as supplier hereby declare that the equipment wetted surfaces finish have a surface finish characteristics in accordance with the specification of the equipment.

\* 3.1 certificates (MTR's) are attached to this document

\*\* EPDM only



# Equipment Documentation

## LKH UltraPure

<b>Serial No.: 143879</b>	Doc. ID No.: Alfa Laval Q-doc LKH UltraPure 1.14
---------------------------	--

Order information	
Item No.: 9613288669	Item Description: LKH-UP-25/177.0 6.4KW 60 HZ SS
Shop Order No.: 904422	
Pump Qty.: 1	
Ra. Cert. Incl. : N/A	
Surface finish : Ra 0.5	Low ferrite option : N/A
Electro Polishing option : N/A	Passivation option : N/A

### Product wetted steel parts, 3.1 acc. To EN10204 (MTR) traceability

Pos.	Part Name	Item No.	Qty	Material	Lot No.	Heat No.
25	Back Plate	9612633204	1	1.4404	1125600018	073D2164
37	Impeller	9612425206	1	CF3M	1204000085	11B21
36	Impeller Screw	9612139609	1	316L	1125500090	104
29	Casing KSA0262	9612630507	-	N/A	1115000033	N/A
	- Casing	N/A	1	1.4404	N/A	S-6218
	- Outlet	N/A	1	1.4404/316L	N/A	SF13599
	- Drain	N/A	1	1.4404/316L	N/A	073D1994
	- Fitting outlet	N/A	1	1.4404/316L	N/A	073D1356
	- Fitting inlet	N/A	1	1.4404/316L	N/A	073D1356
	- Cone outlet	N/A	N/A	N/A	N/A	N/A
	- Cone inlet	N/A	N/A	N/A	N/A	N/A

### Product wetted elastomer parts, Compound ID tracking

Pos.	Part Name	Service kit No.	Qty	Material	Lot No.	Compound ID / Heat No.	
11	Stationary seal ring	9611922374	1	N/A	1203100162	11401	
11.1				1.4462		424540	
11.2				SIC		R37-1	
12	O-ring stationary seal		1	FPM		1130600172	R52-1
14	Rotating Seal ring		1	N/A			1263813
14.1				SIC			R37-1
15	O-ring rotating seal		1	FPM			R52-1
26	O-ring for pump casing		1	FPM		1130600172	70 FKM 37751
38	O-ring for impeller screw		1	FPM		1123400013	77060

Responsibilities (for internal use only)	
The responsible person from Quality department who has performed test and/or entered data to this document must approve and sign. By signing this document the responsible person hereby declares that the instructions are followed and the requirements are in the appropriate SOP's of this document.	
QC date + Name	2012-03-07 <i>Tanja Vintaru</i>

# Equipment Documentation

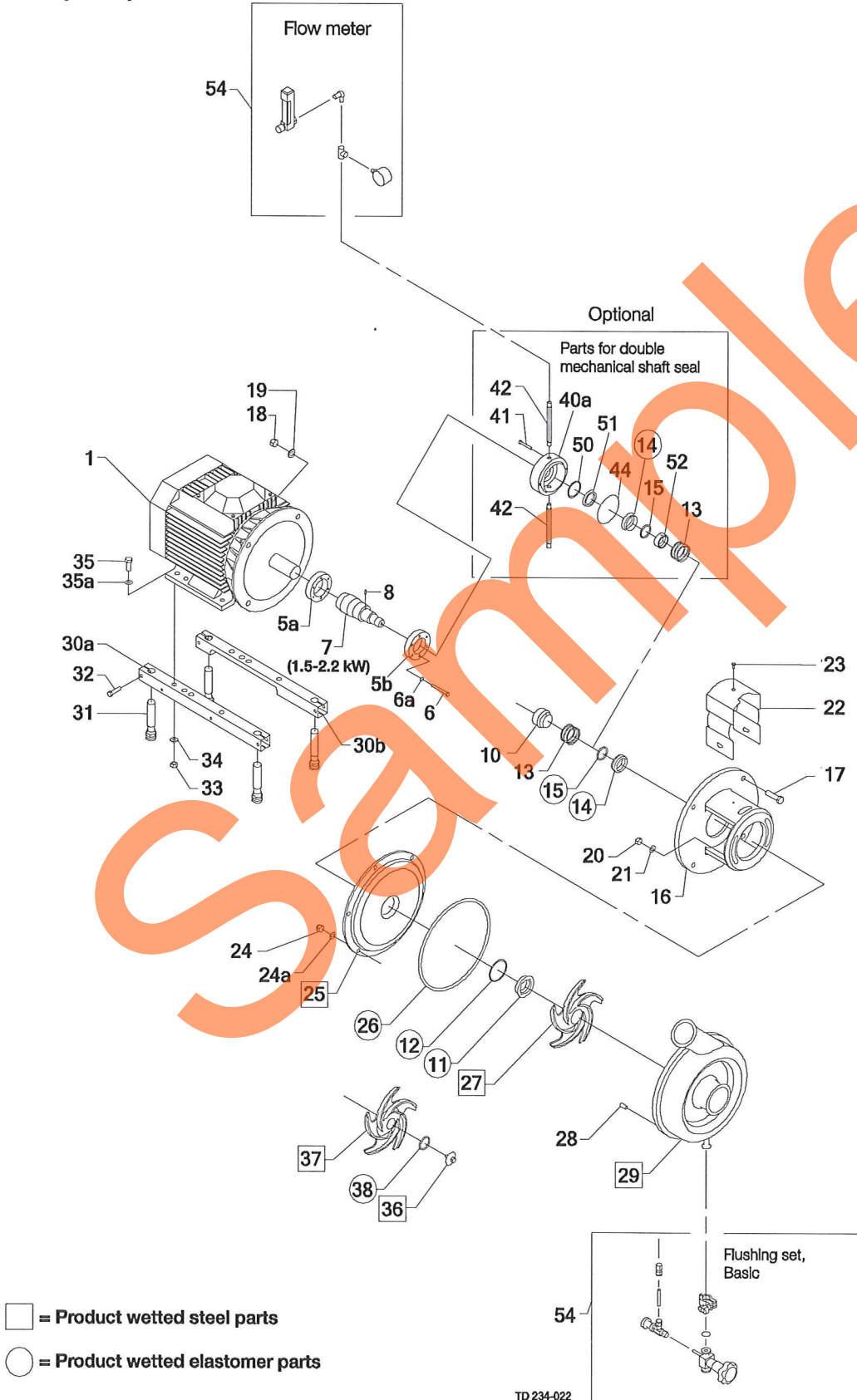
## LKH UltraPure

Serial No.: 143879

Doc. ID No.: Alfa Laval Q-doc LKH UltraPure 1.14

### Product specification list

#### Complete parts overview:



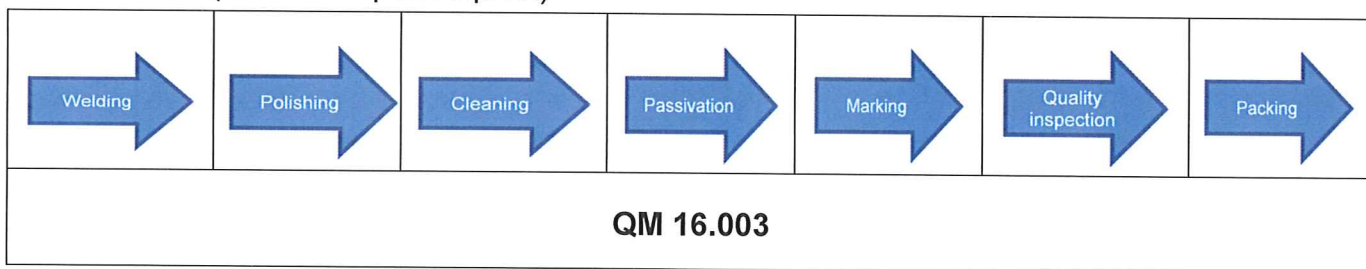
# Equipment Documentation

## LKH UltraPure

Serial No.: 143879

Doc. ID No.: Alfa Laval Q-doc LKH UltraPure 1.14

### Procedures (available upon request)



### Pump Performance certificate

Attached to this document.

### Instruction manual and spare parts

Packed in box with pump

### Other documentation attached (if option is ordered with pump):

- Specific surface finish certificate
- Low delta ferrite certificate
- Passivation certificate

### Declaration of compliance to Alfa Laval internal quality system

We as supplier hereby declares, under our sole responsibility, that the above stated unique equipment is manufactured, tested and inspected under controlled conditions established by our ISO 9001:2008 Quality System, and complies to the above selected documents and procedures.

Kolding, Denmark, 7 March 2012



Annie Dahl, Quality Manager, Alfa Laval